

Electrical parts availability

Standard Coil Mono-Frequency, F class

Encapsulated in synthetic material, Connector for 2P + E DIN 43650 A Plug. IP65 rate can be achieved using a DIN Plug connector only.

Voltage	Power Consumption	Approvals	Description	Part Number	Dimensional Drawing
24/50	8 W	-	481865A2	439500	10
48/50	8 W	-	481865A4	439515	10
110/50	8 W	-	481865A5	439514	10
220-230/50	8 W	-	4818653D	439502	10
380/50	8 W	-	481865A9	439531	10
24/60	8 W	-	481865B2	439804	10
230/60	8 W	-	481865J3	439530	10
115/60	8 W	-	481865K8	439528	10
12 DC	9 W	-	481865C1	439508	10
24 DC	9 W	-	481865C2	439501	10
48DC	9 W	-	481865C4	439523	10
110V DC	9 W	-	481865C5	439532	10

Standard Coil Bi-Frequency, F class

Encapsulated in synthetic material, Connector for 2P + E DIN 43650 A Plug. IP65 rate can be achieved using a DIN Plug connector only.

Voltage	Power Consumption	Approvals	Description	Part Number	Dimensional Drawing
12/50-60	9 W	-	4835101W	439812	10
24/50-60	9 W	-	483510P0	439503	10
48/50-60	9 W	-	483510S4	439526	10
110-115/50 120/60	9 W	-	483510S5	439507	10
220-240/50 240/60	9 W	-	483510S6	439504	10

UL approved Coil, F class

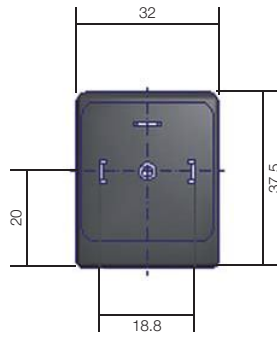
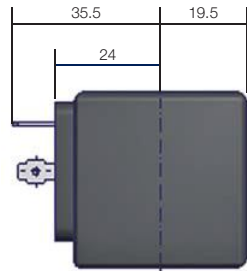
Encapsulated in synthetic material, Connector for 2P + E DIN 43650 A Plug. IP65 rate can be achieved using a DIN Plug connector only.

Voltage	Power Consumption	Approvals	Description	Part Number	Dimensional Drawing
24/60	13 W	UL	491514B2	439511	10
24DC	16 W	UL/VDE	491514C2	439520	10
110/50 120/60	13 W	UL	491514P3	439512	10
220/50 240/60	13 W	UL	491514Q3	439513	10

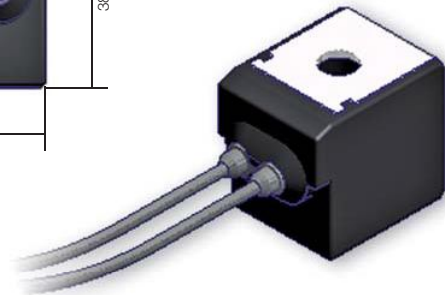
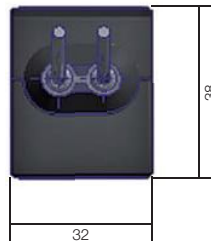
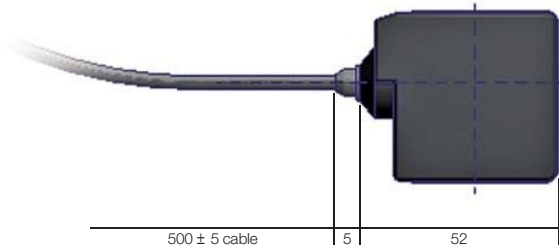
H class Coil

(DC, AC 14W) encapsulated in synthetic material. Connection for 2P + E DIN 43650 A Plug. IP65 rate can be achieved using a DIN Plug connector only.

Voltage	Power Consumption	Approvals	Description	Part Number	Dimensional Drawing
24/50	14 W	-	492425A2	439550	10
110/50	14 W	-	492425A5	439551	10
230/50	14 W	-	492425F4	439518	10
24DC	14 W	-	492425C2	439522	10



Dimensional Drawing N° 10



All dimensions are in mm

Dimensional Drawing N° 11

Electrical parts availability

IP67 Coil with two 500 mm flying leads, F class

Encapsulated in synthetic material. Protection rate IP67 as per DIN 40050.
Connection: 2 x 500 mm cables

Voltage	Power Consumption	Approvals	Description	Part Number	Dimensional Drawing
24/50 - 24/60	9 W	-	496081P0	439816	11
110-115/50 120/60	9 W	-	496081S5	439820	11
220-240/50 240/60	9 W	-	496081S6	439822	11
24DC	9 W	-	496081C2	439818	11
12DC	9 W	-	496081C1	439814	11

IP67 coil with two 500 mm flying leads, F class, UL approved

Encapsulated in synthetic material. Protection rate IP67 as per DIN 40050.
Connection: 2 x 500 mm cables

Voltage	Power Consumption	Approvals	Description	Part Number	Dimensional Drawing
24/60	13 W	UL	496082B2	439826	11
110/50 120/60	13 W	UL	496082P3	439828	11
208-240/60	14 W	UL	496082U3	439824	11
220/50 240/60	13 W	UL	496082Q3	439834	11
24DC	16 W	UL	496082C2	439832	11
12DC	16 W	UL	496082C1	439830	11

Explosion-proof EEx m II T4 (IP65)

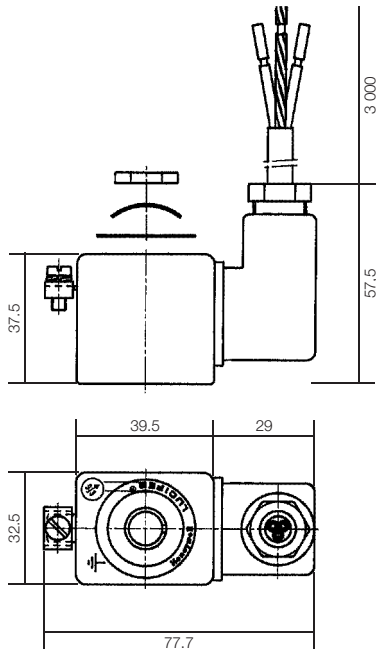
Coil with housing integrated. Coil and magnetic circuit encapsulated in synthetic material.
The complete housing is supplied with an encapsulated connection cable (3 x 0.75 mm² section),
cable length is 3 000 mm with cable gland PG11. Power consumption: 8W AC, 9W DC.

Voltage	Power Consumption	Approvals	Description	Part Number	Dimensional Drawing
24DC	9 W	ATEX EEx m II 2GD	492670C2	492670C2	12
230/50	8 W	ATEX EEx m II 2GD	492670F4	492670F4	12

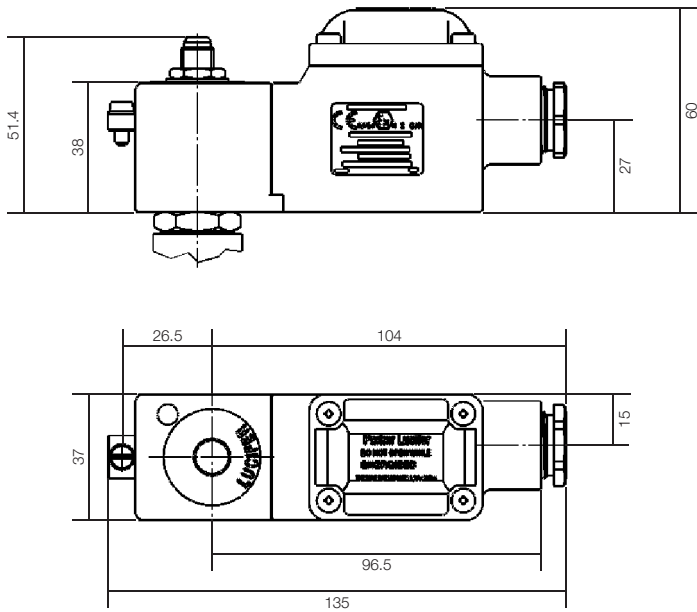
Explosion-proof II 2 G-EEx dm IIC T4

Coil/housing assembly encapsulated in synthetic material (H class). Protection degree: IP67.
Cable connection through cable gland M20x1.5 (DIN 46320).

Voltage	Power Consumption	Approvals	Description	Part Number	Dimensional Drawing
24DC	8 W	ATEX - EEx d mb IIC 2GD	495905C2	495905C2	13
48DC	8 W	ATEX - EEx d mb IIC 2GD	495905C4	495905C4	13
110DC	8 W	ATEX - EEx d mb IIC 2GD	495905C5	495905C5	13
24/50	8 W	ATEX - EEx d mb IIC 2GD	495905A2	495905A2	13
48/50	8 W	ATEX - EEx d mb IIC 2GD	495905A4	495905A4	13
240/60	8 W	ATEX - EEx d mb IIC 2GD	495905B8	495905B8	13
115/50	8 W	ATEX - EEx d mb IIC 2GD	495905E5	495905E5	13
230/50	8 W	ATEX - EEx d mb IIC 2GD	495905F4	495905F4	13
115/60	8 W	ATEX - EEx d mb IIC 2GD	495905K8	495905K8	13



Dimensional Drawing N° 12



All dimensions are in mm

Dimensional Drawing N° 13